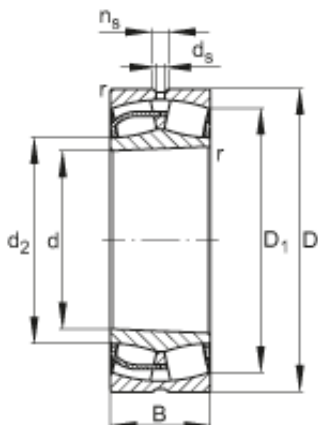




ABEC BEARING SERIES LTD



360 mm x 600 mm x 243 mm FAG
24172-E1-K30 Roller Bearings

Bearing No. 24172-E1-K30

24172-E1-K30 Bearing 2D drawings and 3D CAD models

Size	360x600x243 mm
Bore Diameter	360 mm
Outer Diameter	600 mm
Width	243 mm
d	360 mm
D	600 mm
B	243 mm
D ₁	505,9 mm
D _{a max}	580 mm
d ₂	399,4 mm
d _{a min}	380 mm
d _s	9,5 mm
n _s	17,7 mm
r _{a max}	4 mm
r _{min}	5 mm
m	272 kg / Weight
C _r	5600000 N / Dynamic load rating (radial)
e	0,4
Y ₁	1,69
Y ₂	2,52
C _{0r}	9100000 N / Static load rating (radial)
Y ₀	1,65



ABEC BEARING SERIES LTD

n_G	890 1/min / Limiting speed
n_B	350 1/min
C_{ur}	670000 N / Fatigue limit load, radial